

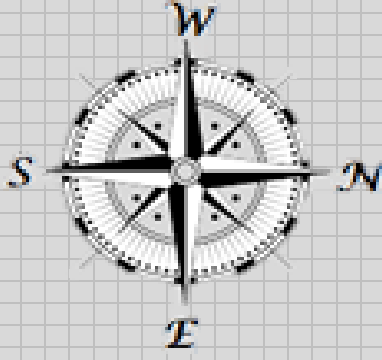


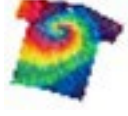








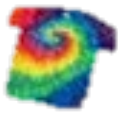





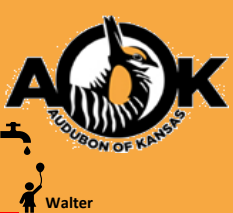

<p>Glenna Cain Facepainting</p> <p>134</p>	<p>Grumpy Old Weaver</p> <p>133</p>  <p>132</p>	 <p>PARHAM LEATHER</p> <p>131</p>	<p>Valley Forge & Iron</p> <p>130</p>	
				 <p>129</p>

<p>HEY JUDE DESIGN</p> <p>124</p>	<p>L shape d space for Dye- Namic s</p>	<p>L & K Crafts</p> <p>Wood, Mixed Crafts</p> <p>125</p>		
<p>Dye-Namics</p>  <p>123</p>	<p>Scraps and Stitches</p> <p>Textile Crafts</p> <p>122</p>	<p>Sheila Lewis</p> <p>Glassworks</p> <p>121</p>	 <p>7F Rocks</p> <p>120</p>	 <p>Bloomer Botanicals</p> <p>CBD for Health</p> <p>119</p>

Pavilion - Barn 6

<p>Empty Pockets Ironworks</p> <p>114</p>	 <p>115</p>	<p>Make It Yours</p>  <p>License Plates, Metal Signs, etc.</p> <p>116</p>	 <p>Dream Catchers, Jewelry, etc.</p> <p>117</p>	<p>StayBright Tie Dyes</p>  <p>118</p>
<p>That'll Do Ranch</p> <p>Hand Dyed Fiber</p> <p>113</p>	<p>Mandala Jewels</p> <p>112</p>	<p>111</p>	<p>Dennis Crider</p>  <p>Photography</p> <p>110</p>	 <p>109</p>

<p>Heart of Texas Baskets</p> <p>Kim's Craft Corner</p> <p>104</p>	<p>Debby Johnson</p>  <p>105</p>	<p>106</p>	<p>Because I Can</p>  <p>107</p>	<p>108</p> <p>Jewelry, Leather, Handmade Clothing</p>
<p>Alchemy Wellness & Arts</p> <p>Fabric Art, Essential Oils</p> <p>103</p>	<p>Fred Schell's Wooden Scrub Board Company</p> <p>102</p>	<p>Henna & Hairwraps</p>  <p>101</p>	<p>Dank Artistry</p> <p>Silverware Jewelry</p> <p>100</p>	 <p>99</p>

 <p>Walter</p> <p>94</p>	<p>Funtastic Faces Facepainting</p> <p>95</p>	<p>Caricatures & Creations by Krueger</p> <p>96</p>	<p>97A</p> <p>AVE 20</p>	<p>97B</p> <p>Craft-N- Things</p>	 <p>98</p>
---	---	---	------------------------------	---------------------------------------	---